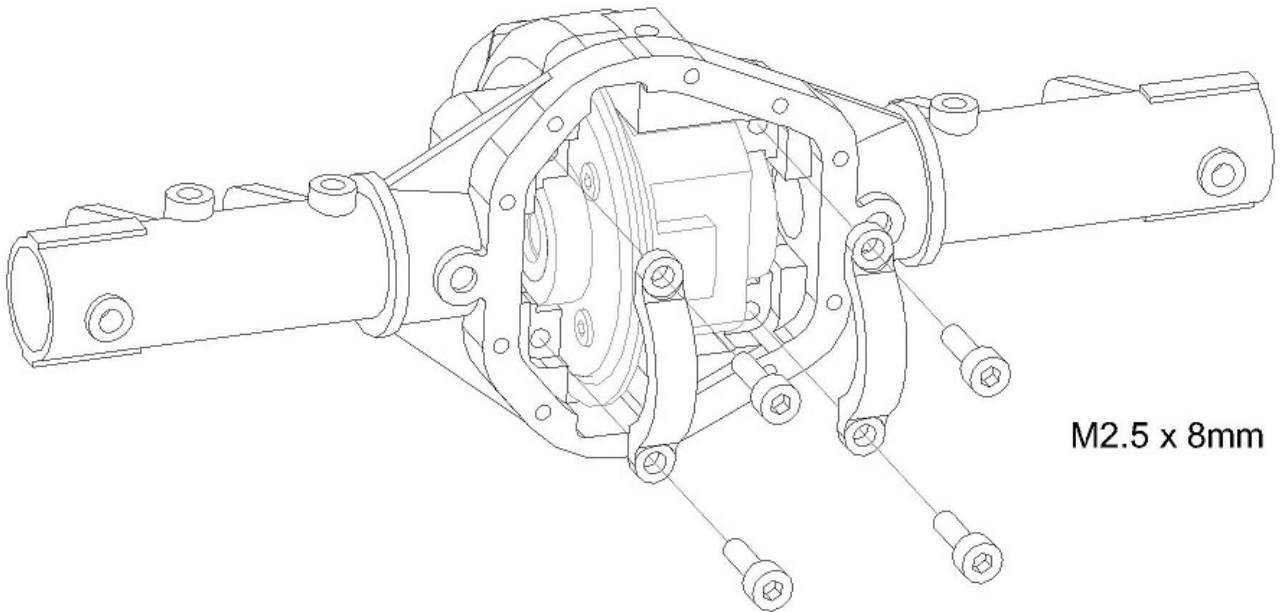


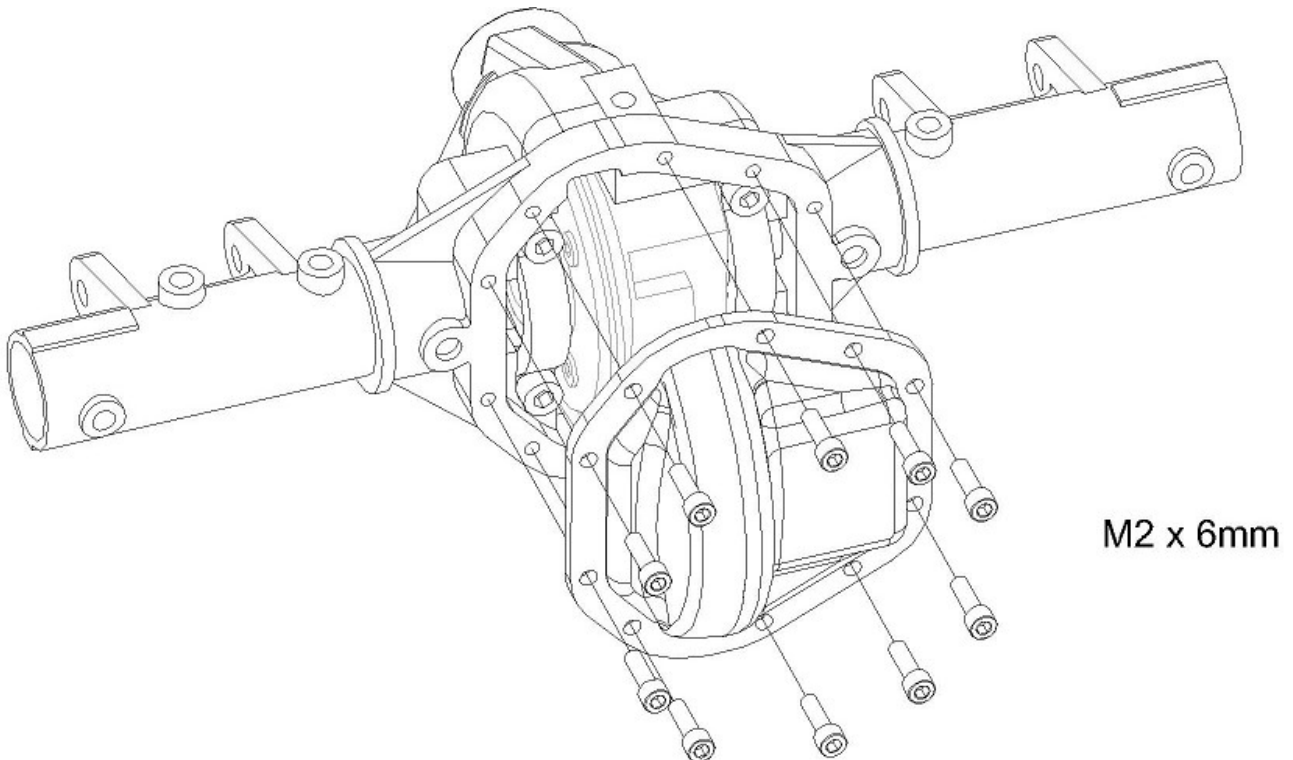
SSD D60 Axle Assembly Instructions

Note: The stock SCX10 axles will need to be disassembled with all gears, bearings and shafts removed before starting.

- 1 Install gears with the stock bearings
Be careful not to over tighten the screws



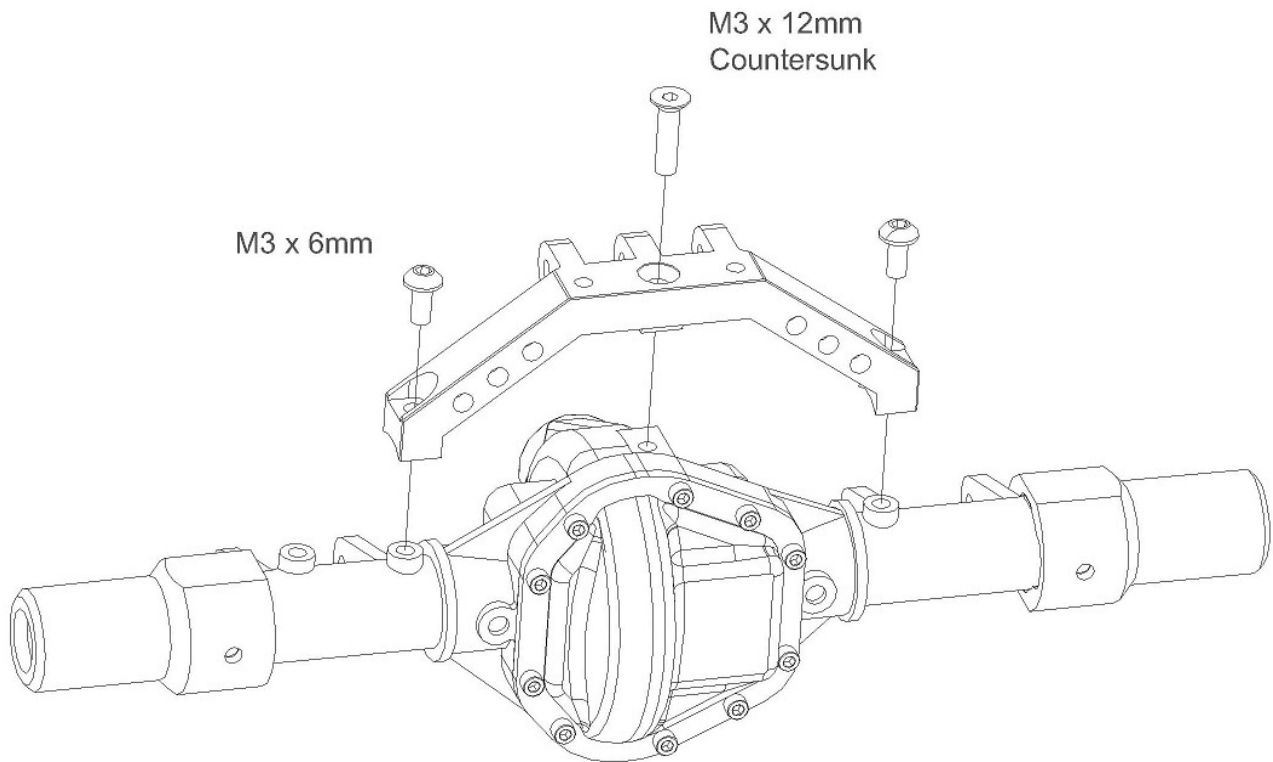
- 2 Install diff cover



Rear Axle with 4 Link

Use stock SCX10 straight rear axle shafts, bearings and rear lockouts.

3 Install upper link mount



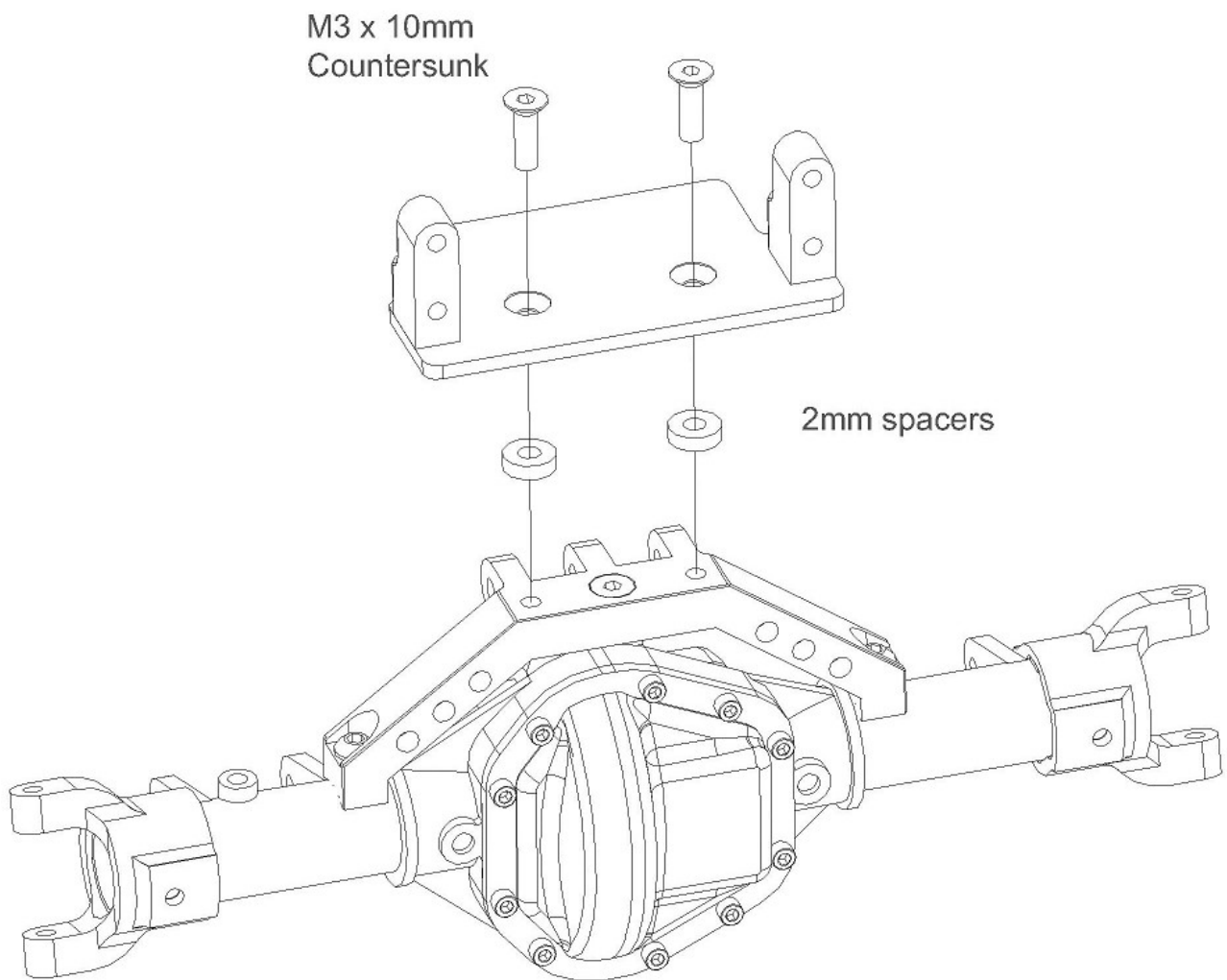
After axle assembly is complete it can be installed on the SCX10 chassis in the same way as the stock axles.

Front Axle with 4 Link & Servo on Axle

Use stock SCX10 front axle C hubs, knuckles, bearings and shafts.

Install the upper link mount as shown in step 3.

4 Install the SSD servo mount plate (SSD00057) with stock servo mounts



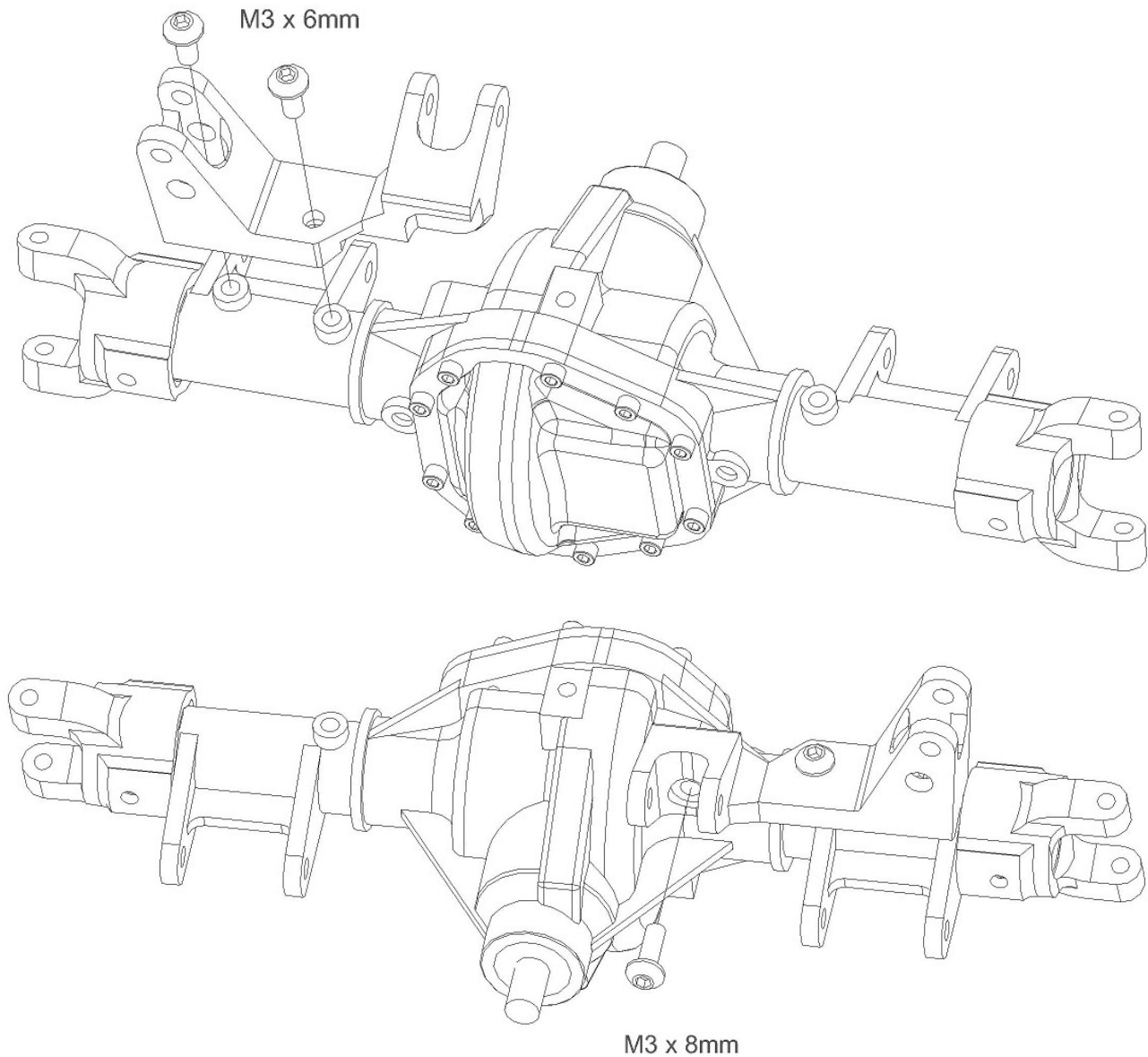
Now install the knuckles, shafts, servo, steering links etc... as normal.

After axle assembly is complete it can be installed on the SCX10 chassis in the same way as the stock axles.

Front Axle with 3 Link & Panhard bar

For use with SSD00026 Chassis Mounted Steering kit for SCX10.

5 Install panhard mount



After axle assembly is complete it can be installed on the SCX10 chassis as shown in the SSD chassis mounted steering assembly manual.

Recommended Parts

SSD00024 Titanium Steering Links for Axial SCX10
SSD00026 Chassis Mounted Steering Kit for SCX10
SSD00039 92mm Titanium Lower Links for SCX10
SSD00042 100mm Titanium Lower Links for SCX10
SSD00057 D60 Axle Servo Mount Plate
SSD00064 D60 Rock Shield Diff Cover (Grey)